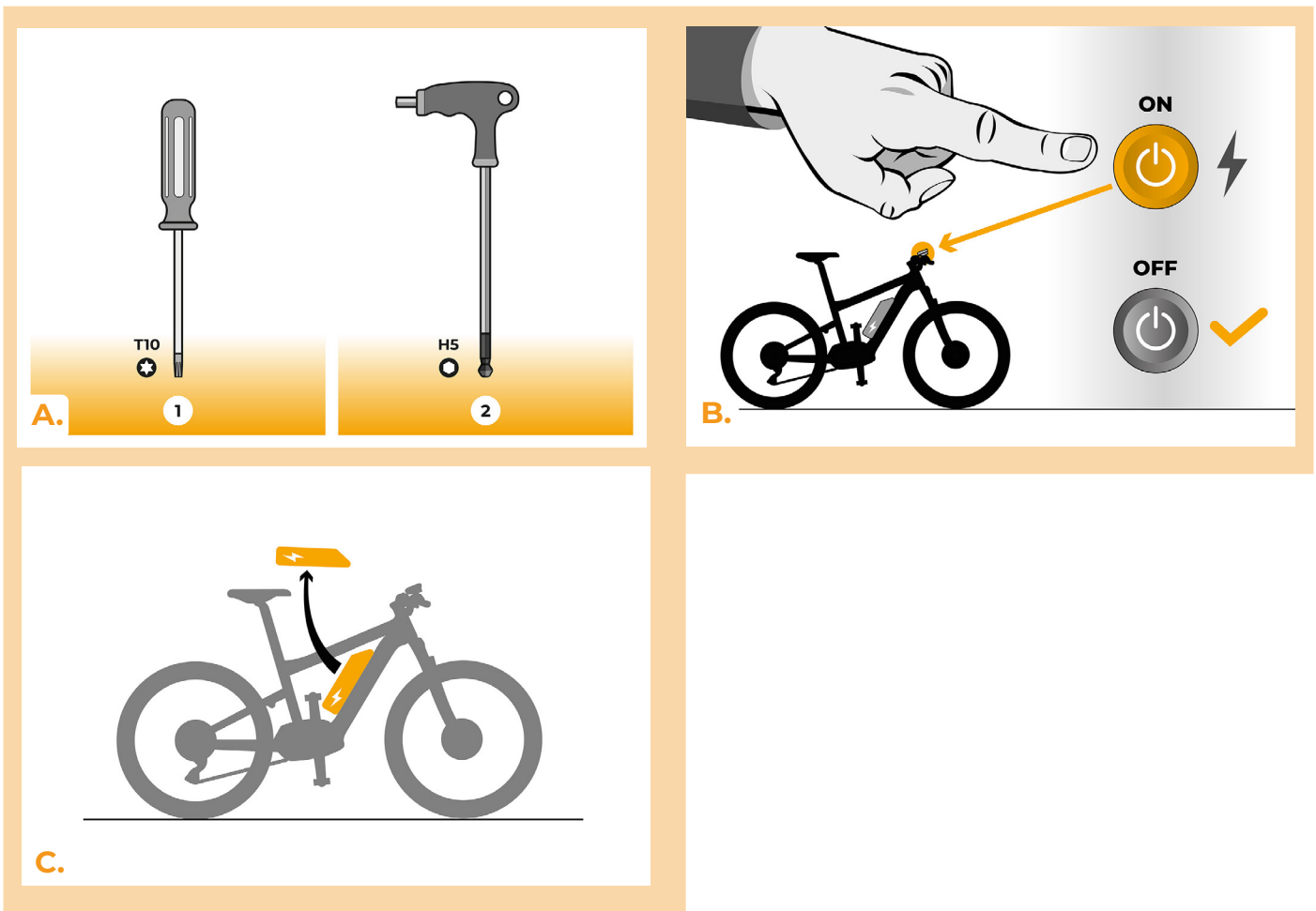


SpeedBox 3.2 for Bafang

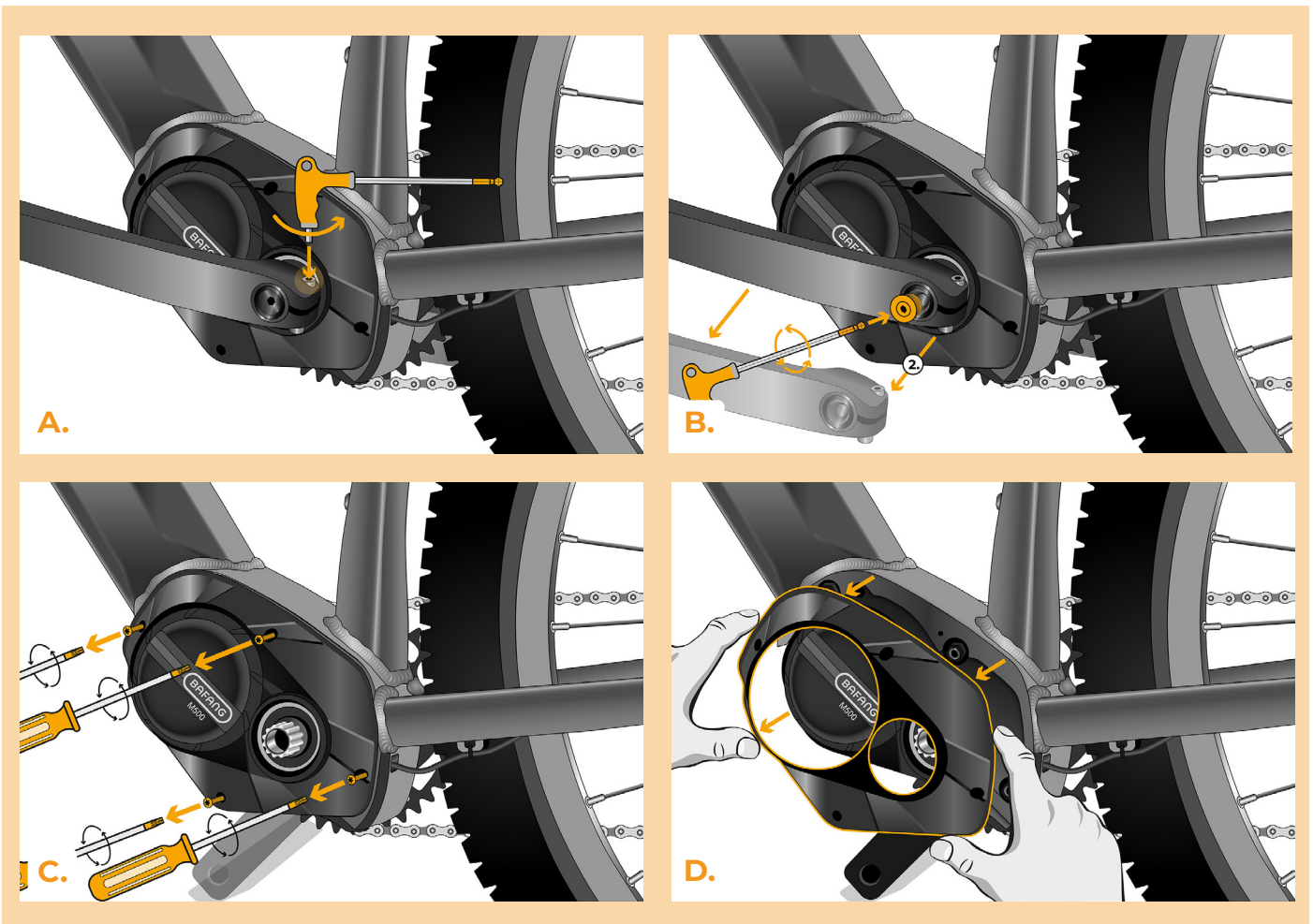
STEP 1: Preparation for installaion

- A.** Prepare the following tools:
 1. T10 Torx screwdriver
 2. Hex Key H5
- B.** Turn off the e-bike.
- C.** Remove the battery from the e-bike according to the manufacturer's manual.



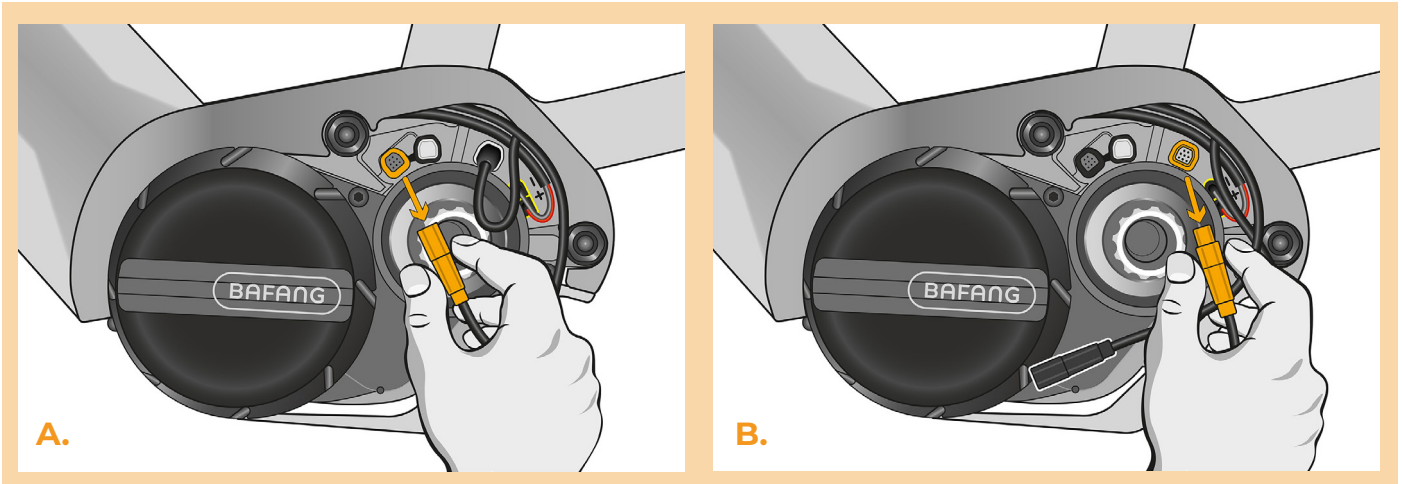
STEP 2: Motor cover removal

- A.** If the crank interferes with the removal of the plastic motor cover, it must be dismantled according to the manufacturer's manual. If you have the same type of crank as shown in the figure, follow our instructions and loosen the screws on the sides of the crank with the hex key H5.
- B.** Unscrew the crank bolt of the left crank arm using the hex key H5 and remove the crank.
- C.** Unscrew the four screws holding the motor side cover (Torx T10).
- D.** Remove the motor cover.



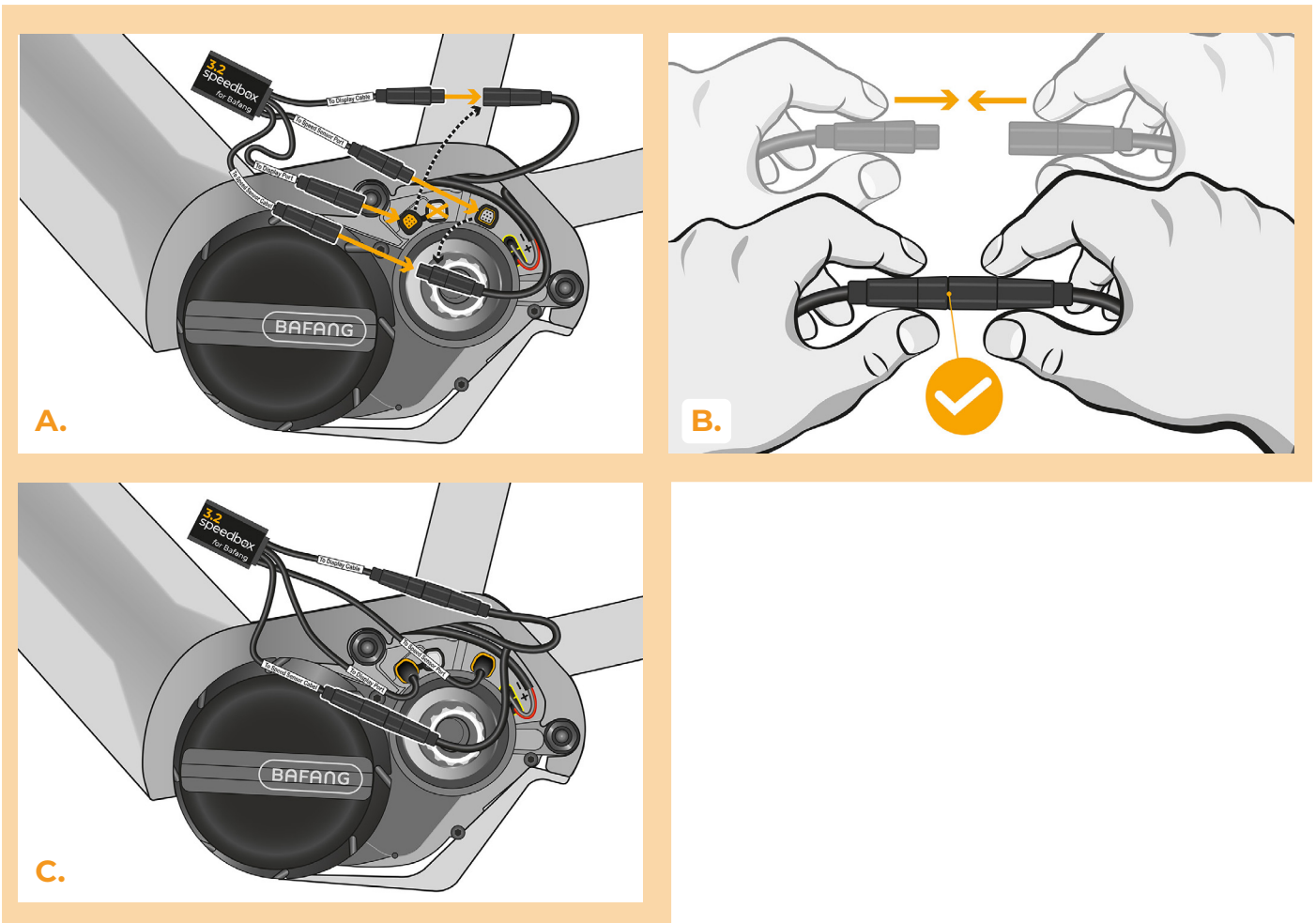
STEP 3: Disconnecting the connectors from the motor

- A. Using the precision slotted screwdriver, disconnect the speed sensor connector.
- B. Disconnect the display connector in the same manner.



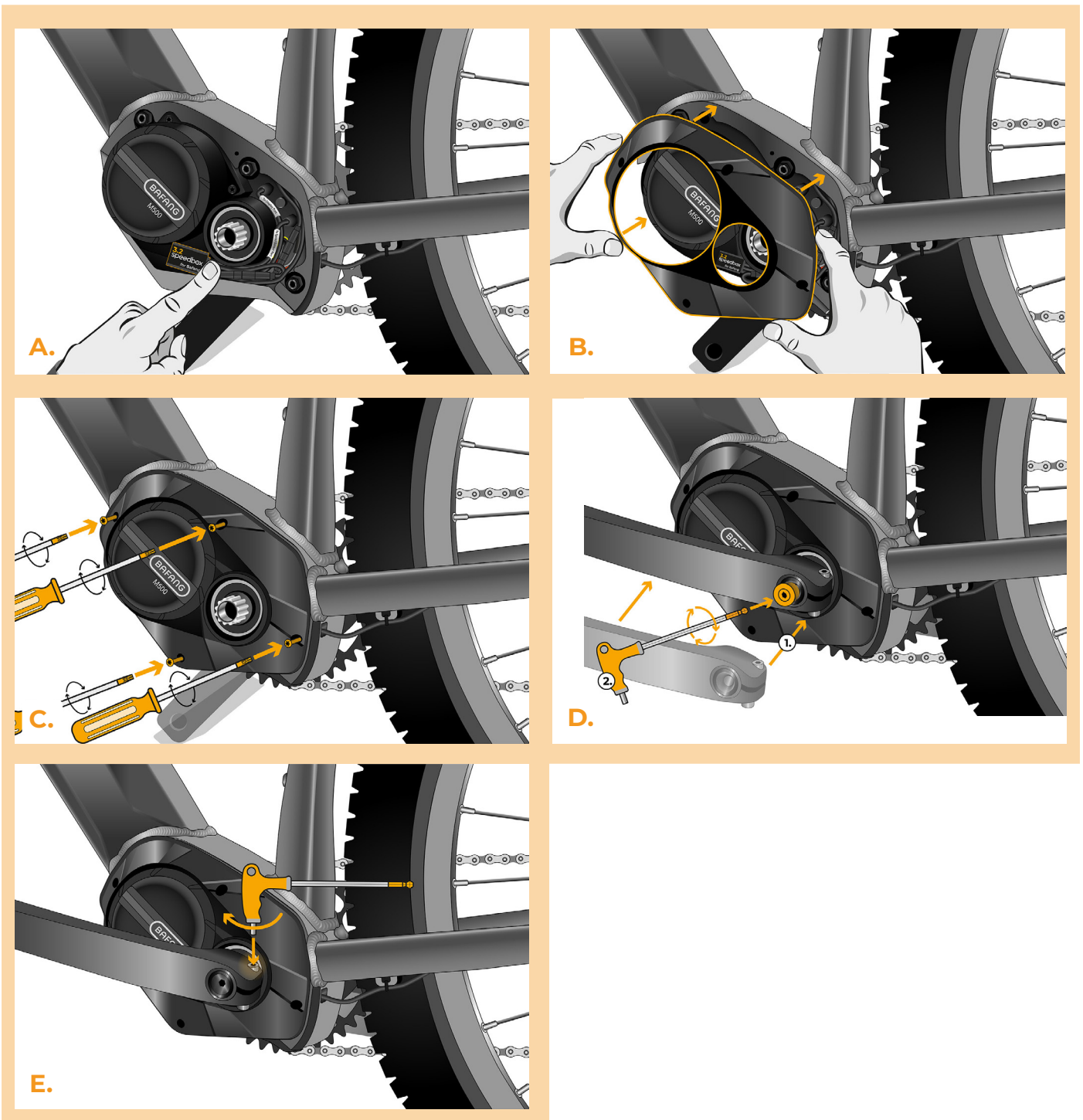
STEP 4: SpeedBox tuning installation

- A. Plug SpeedBox into the disconnected connectors (step 3).
- B. Make sure that the locks on the connectors are seated properly.
- C. Before assembling the motor, check the correct wiring as shown in the figure.



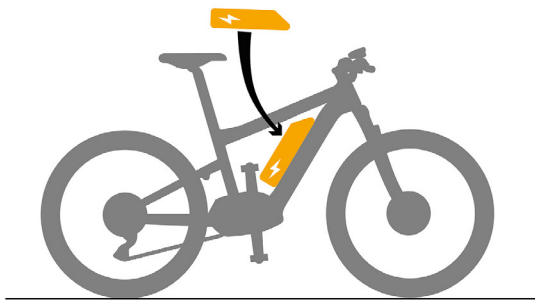
STEP 5: Motor cover assembly

- A.** Fit the SpeedBox and all connectors and wires leading from the motor into the free space in the motor compartment.
- B.** Put the motor cover back in its original position.
- C.** Using the Phillips screwdriver PH1, attach the motor cover with screws. If the crank was removed in step 2, install it back.

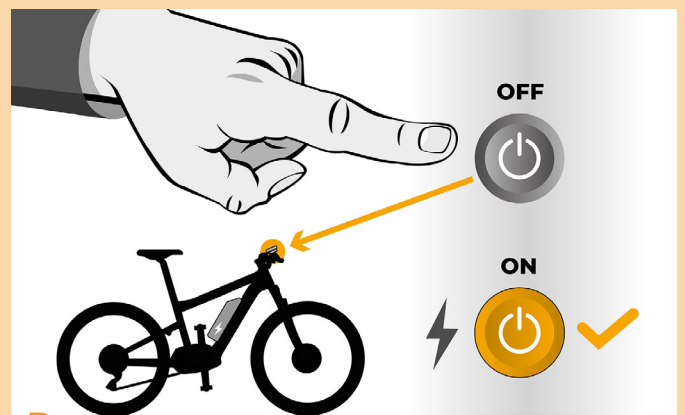


STEP 6: Tuning function check

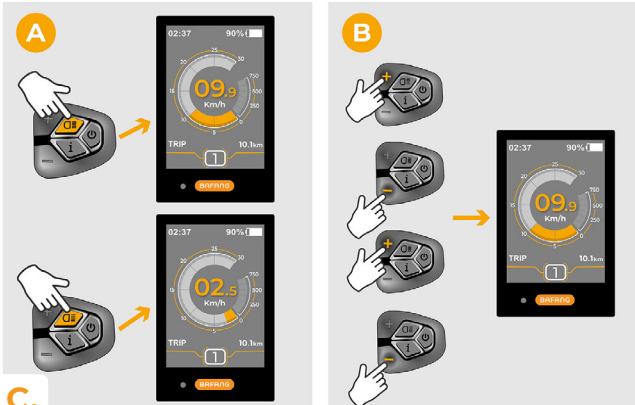
- A. Place the battery back into the e-bike.
- B. Turn the e-bike on.
- C. Activate/deactivate SpeedBox by pressing the LIGHT button or by switching between two assistance modes twice (+--). The value of 9.9 or 2.5 will be shown indicating the maximum speed limit in km/h.
- D. Spin the rear wheel and make sure the rear wheel speed is shown on the e-bike display.



A.



B.



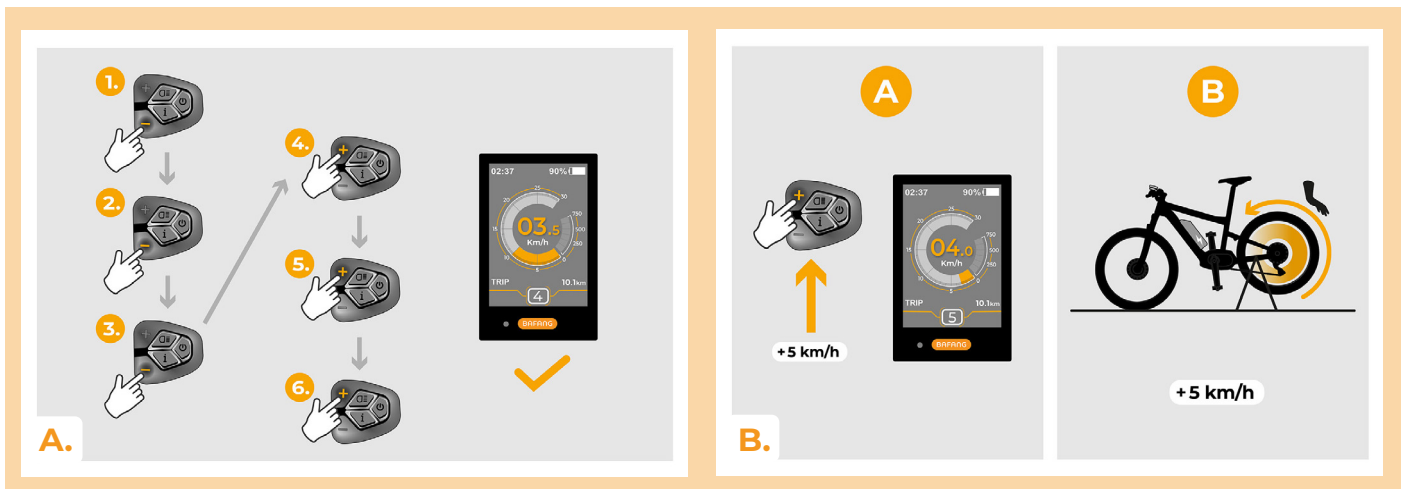
C.



D.

STEP 7: Setting the speed limit

- A.** To set the maximum speed limit, switch the modes: - - - + + +. The current speed limit will be displayed.
- B.** Set the maximum speed limit by pressing the + button briefly or by turning the rear wheel 360°. With each press on the + button or turning of the wheel, the limit increases by 5 km/h. The last displayed limit is saved after five seconds of inactivity.



www.speedbox-tuning.en

Ebike Electronic s.r.o.

Rybna 716/24 | 110 00 Praha 1 | Czech Republic | ID: 05553555 | VAT: CZ05553555



